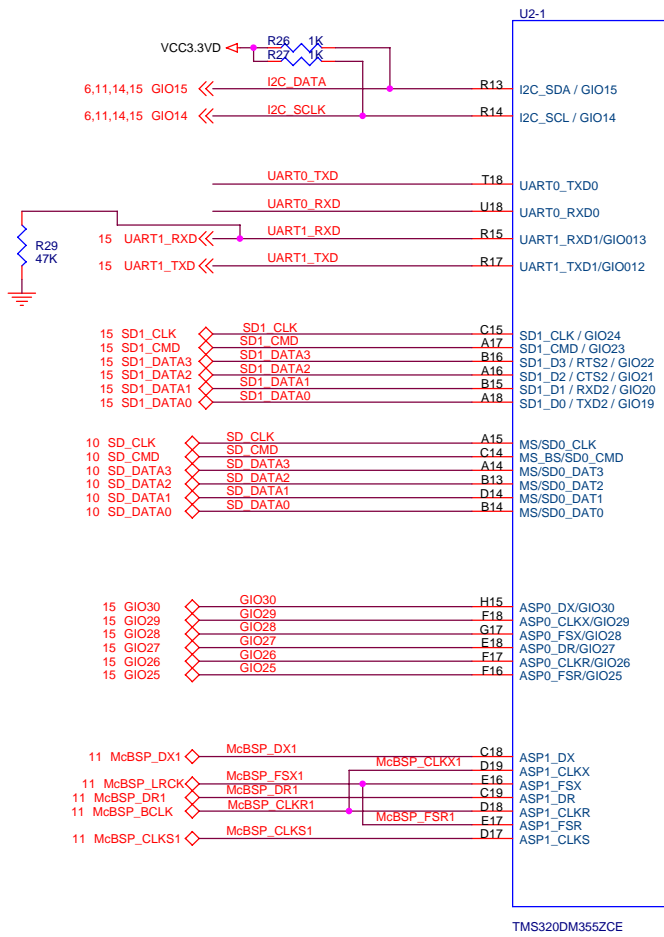


REV	DESCRIPTION	DATE	APPROVED
A	Initial schematic ready for layout - Alpha Release	02/2/09	
B			
C			
D			

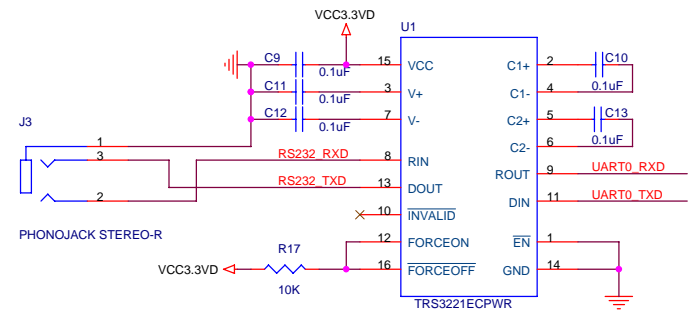
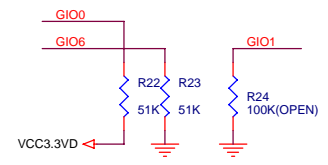
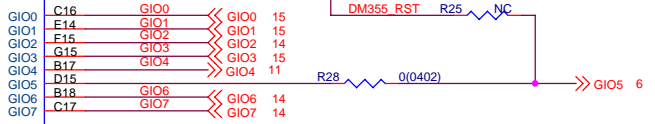
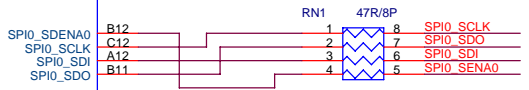
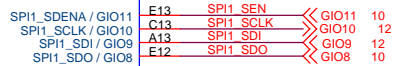
SCHEMATIC CONTENTS

- SHEET01 - TITLE
- SHEET02 - DM355 SERIAL IO
- SHEET03 - DM355 DDR2
- SHEET04 - DM355 EMIF
- SHEET05 - DM355 USB
- SHEET06 - DM355 VIDEO
- SHEET07 - DM355 JTAG,CLKS,RESET
- SHEET08 - DM355 POWER
- SHEET09 - MISC
- SHEET10 - NAND BOOT & SD CARD
- SHEET11 - AUDIO
- SHEET12 - ETHERNET
- SHEET13 - SYSTEM POWER
- SHEET14 - LCD INTERFACE
- SHEET15 - EXTERNAL IO

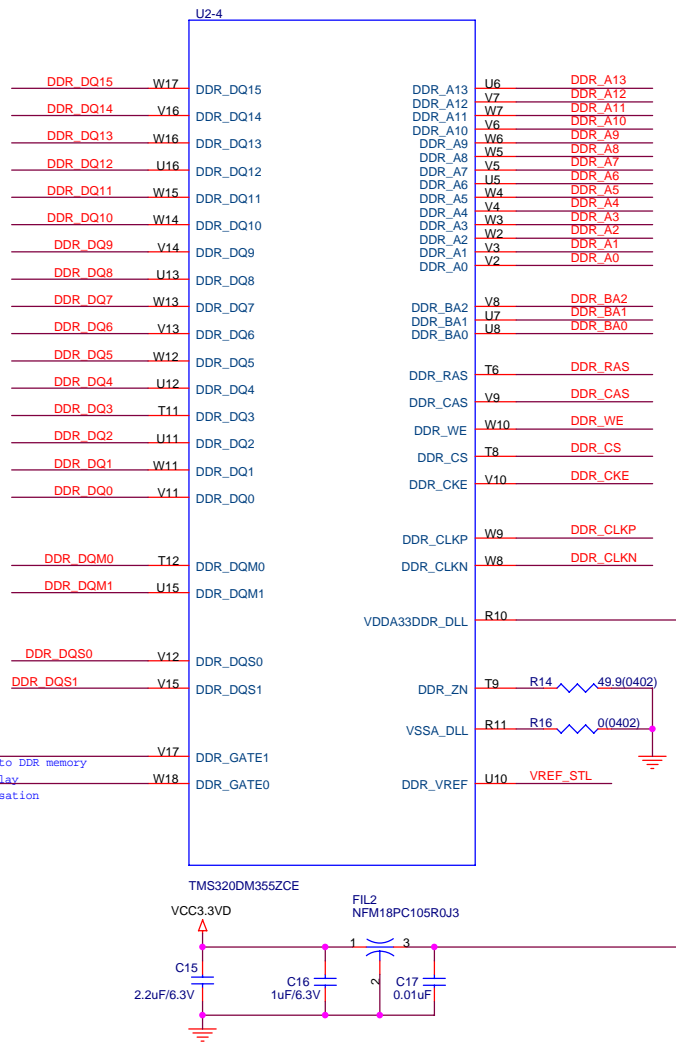
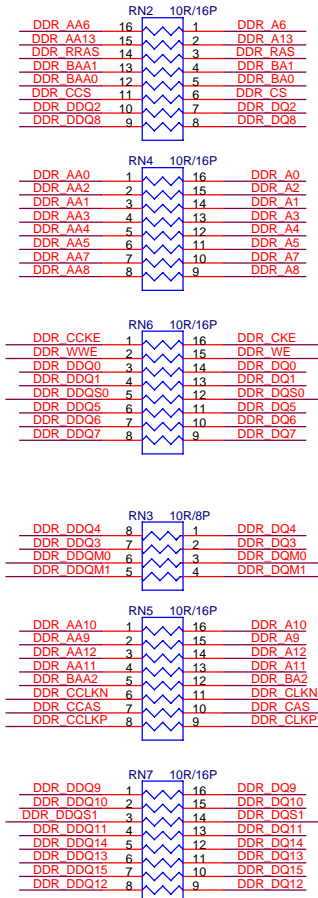
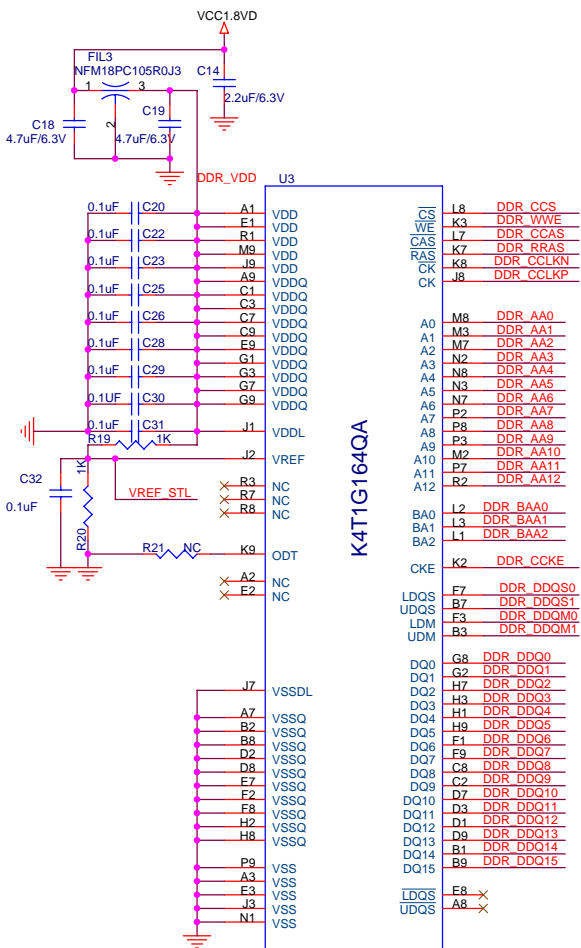
LEOPARD IMAGING INC			
Title: DM355 LEOPARD BOARD			
Page Contents: TITLE SHEET			
Size: B	DWG NO 0001	Revision: 1.0	
Date: Tuesday, March 10, 2009	Sheet 1 of 15		



TMS320DM355ZCE



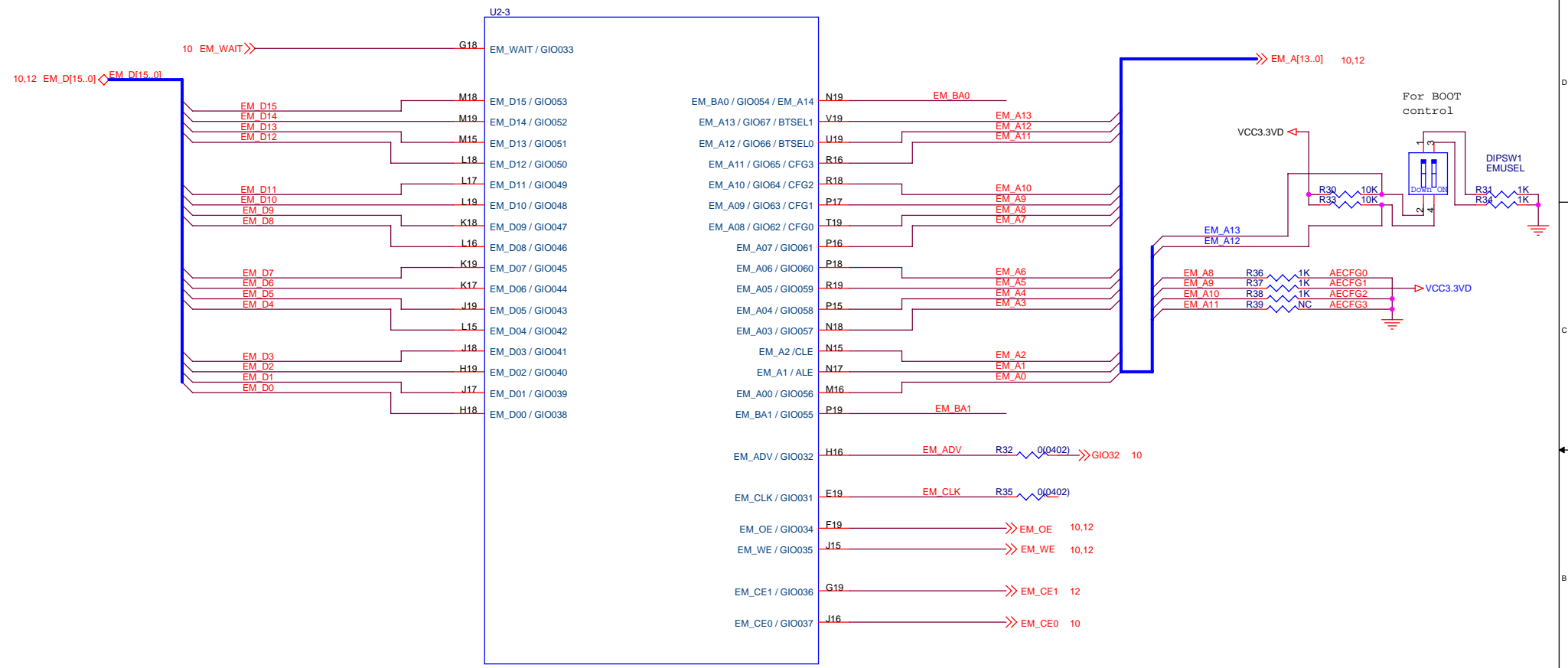
LEOPARD IMAGING INC			
Title: DM355 LEOPARD BOARD			
Page Contents: DM355 SERIAL I/O			
Size: B	DWG NO	0001	Revision: 1.0
Date:	Tuesday, March 10, 2009	Sheet 2 of	15



Trace to DDR memory
for delay compensation

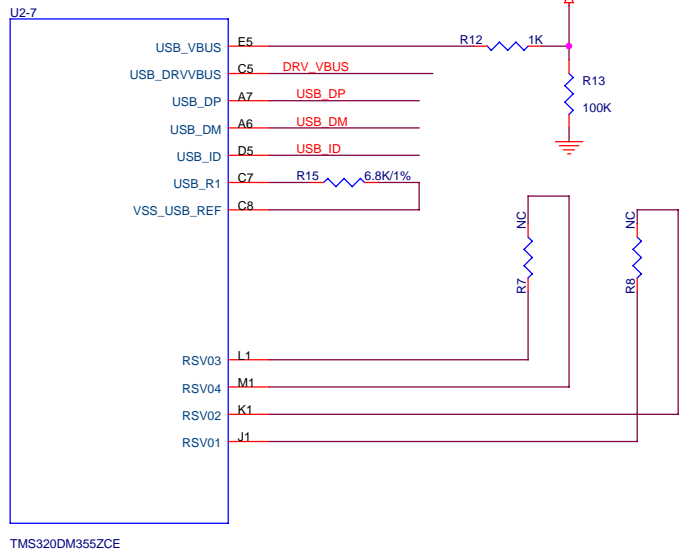
This net is equal to the DDR_CLKP (or DDR_CLKN)
plus
the length of DDR_DQXX Average Trace length

LEOPARD IMAGING INC			
Title: DM355 LEOPARD BOARD			
Page Contents: DM355 DDR INTERFACE			
Size: B	DWG NO	0001	Revision: 1.0
Date: Tuesday, March 10, 2009	Sheet 3 of		15

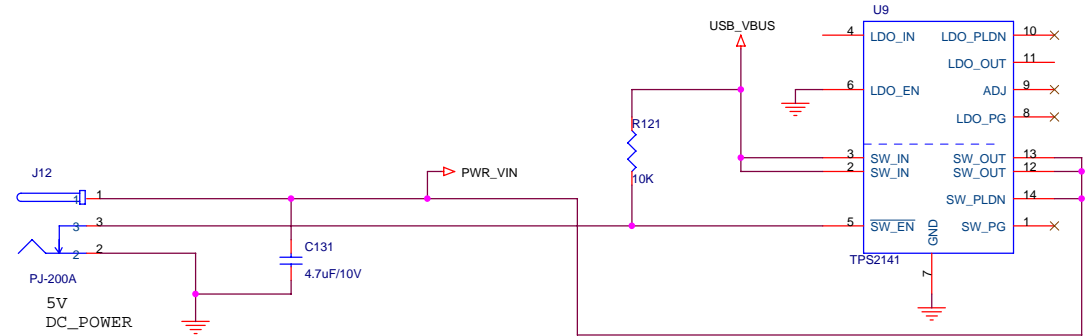
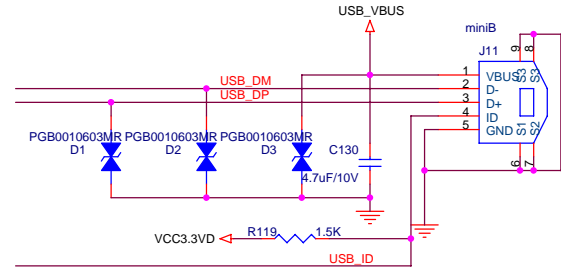


TMS320DM355ZCE

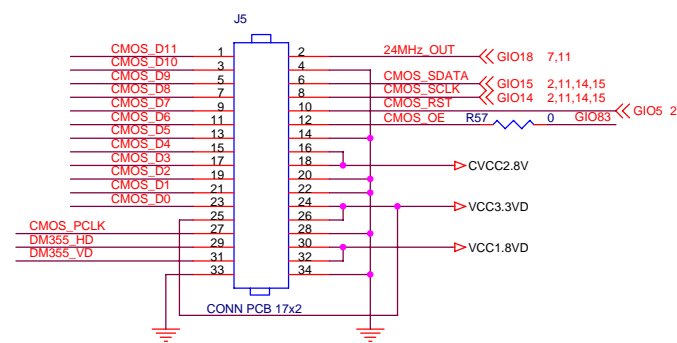
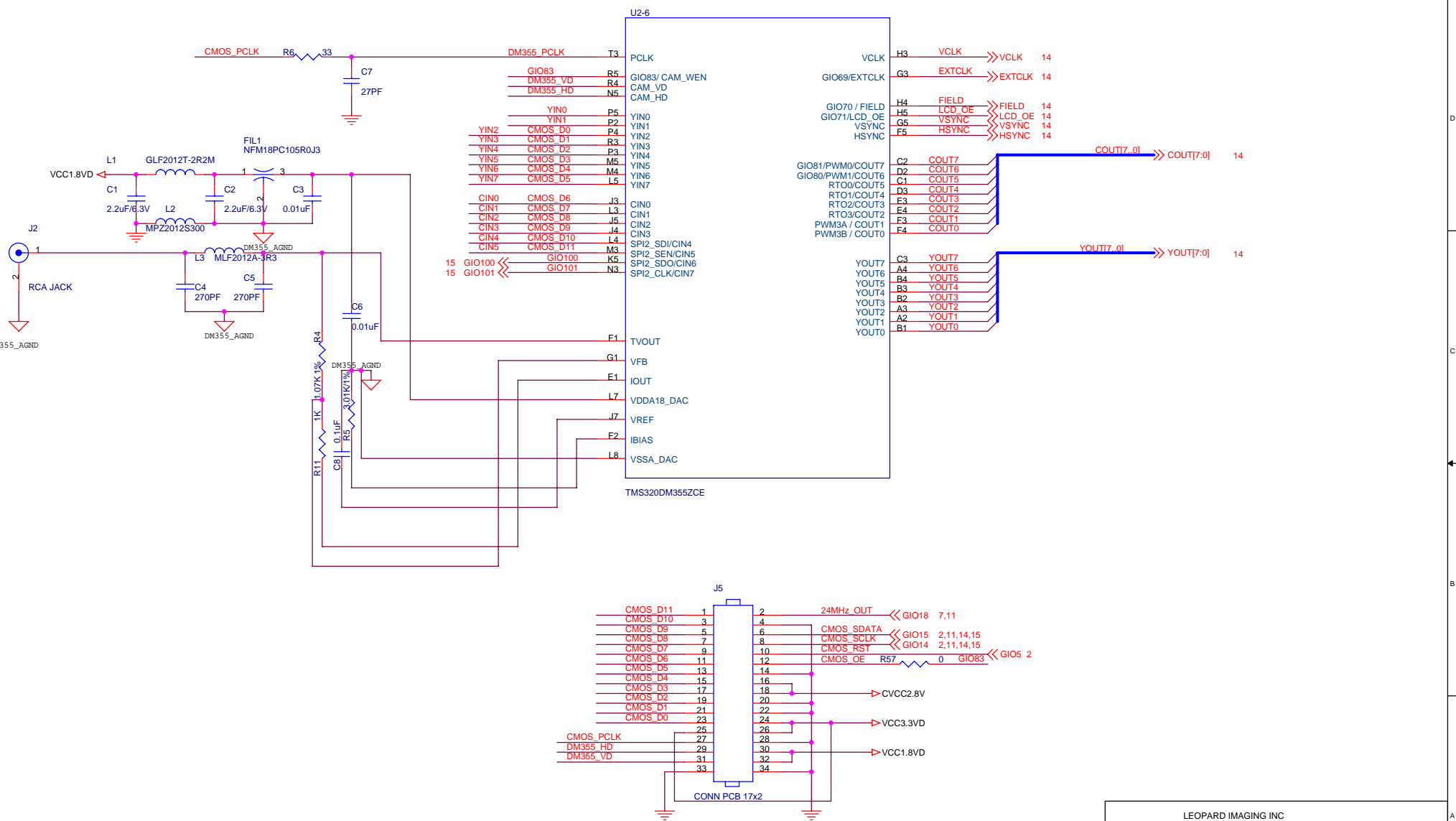
LEOPARD IMAGING INC			
Title: DM355 LEOPARD BOARD			
Page Contents: DM355 EMIF			
Size: B	DWG NO	0001	Revision: 1.0
Date:	Tuesday, March 10, 2009	Sheet 4 of	15



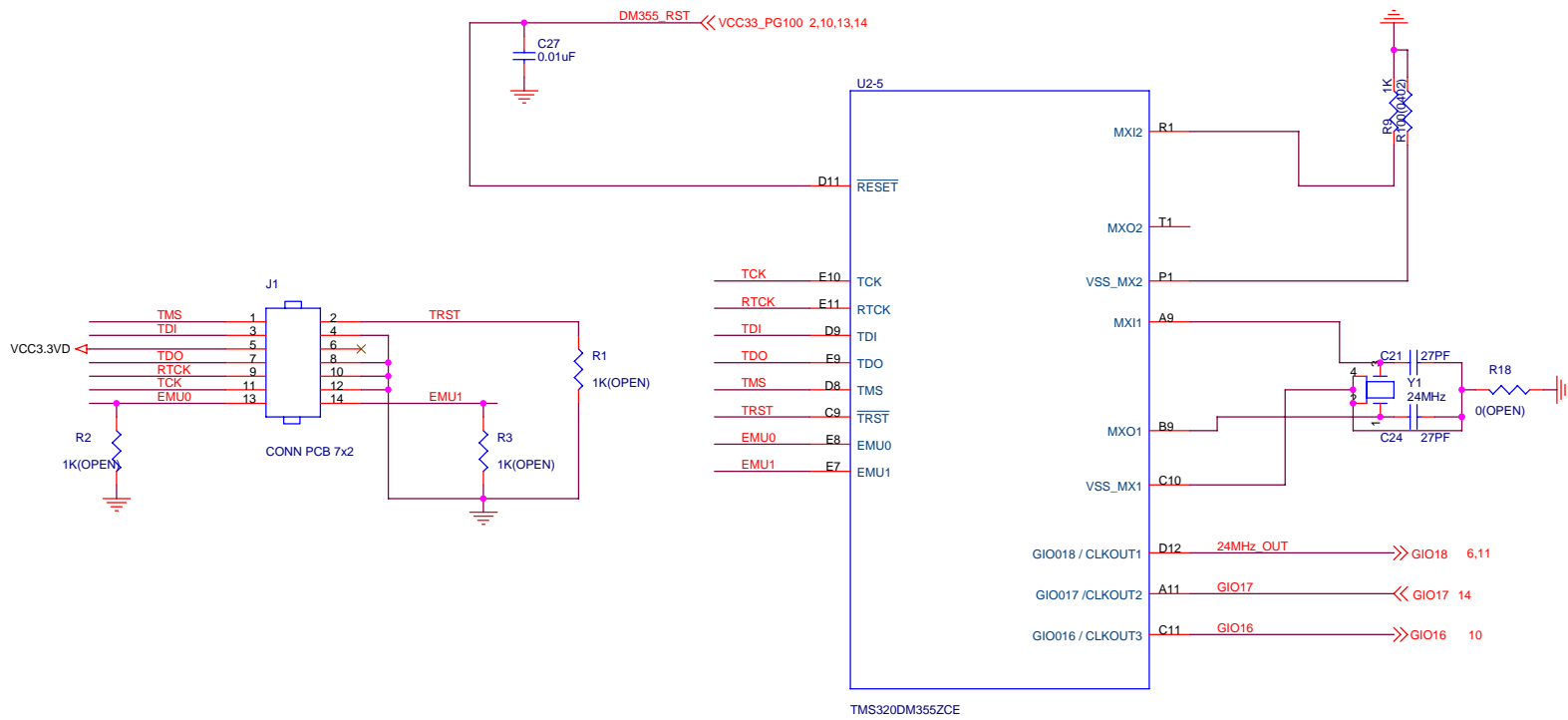
TMS320DM355ZCE



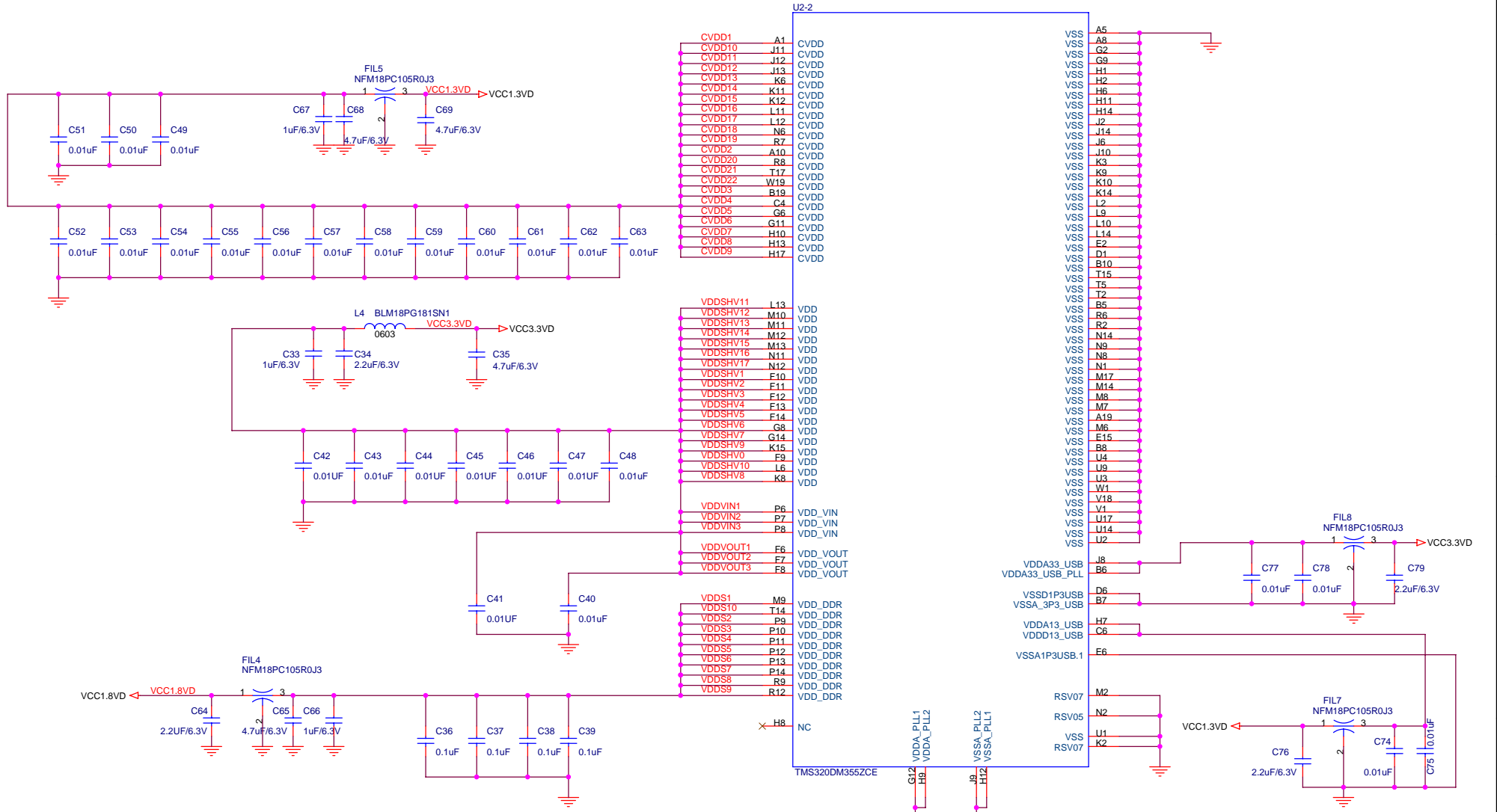
LEOPARD IMAGING INC			
Title: DM355 LEOPARD BOARD			
Page Contents: DM355 USB			
Size: B	DWG NO	0001	Revision: 1.0
Date: Tuesday, March 10, 2009	Sheet 5 of 15		



LEOPARD IMAGING INC			
Title: DM355 LEOPARD BOARD			
Page Contents: DM355 VIDEO			
Size: B	DWG NO	0001	Revision: 1.0
Date:	Tuesday, March 10, 2009	Sheet 6 of	15



LEOPARD IMAGING INC			
Title: DM355 LEOPARD BOARD			
Page Contents: DM355 JTAG,RESET,CLOCKS			
Size: B	DWG NO	0001	Revision: 1.0
Date:	Tuesday, March 10, 2009	Sheet 7 of	15



LEOPARD IMAGING INC			
Title: DM355 LEOPARD BOARD			
Page Contents: DM355 POWER			
Size: B	DWG NO	0001	Revision: 1.0
Date: Tuesday, March 10, 2009	Sheet 8 of 15		

FDC1 ○ FIDUCIAL
FIDUCIAL

FDC2 ○ FIDUCIAL
FIDUCIAL

FDC3 ○ FIDUCIAL
FIDUCIAL

FDC4 ○ FIDUCIAL
FIDUCIAL

MH1 ○ MHOLE
MHOLE

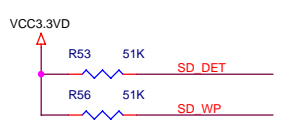
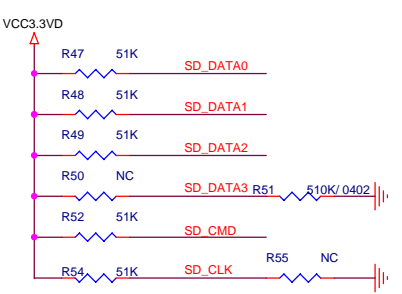
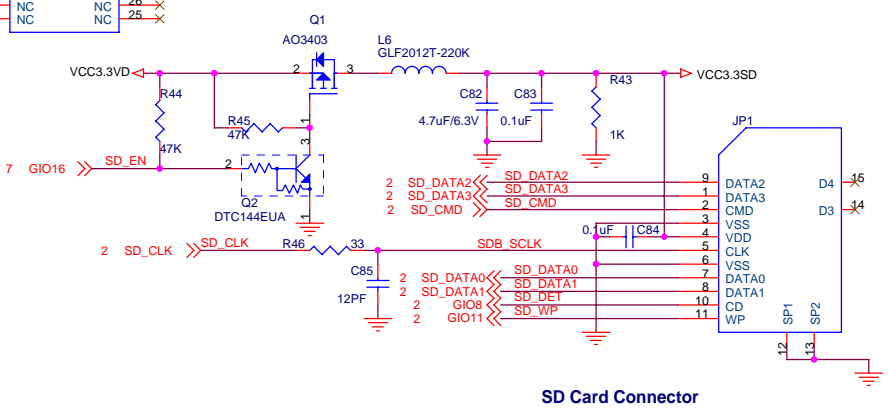
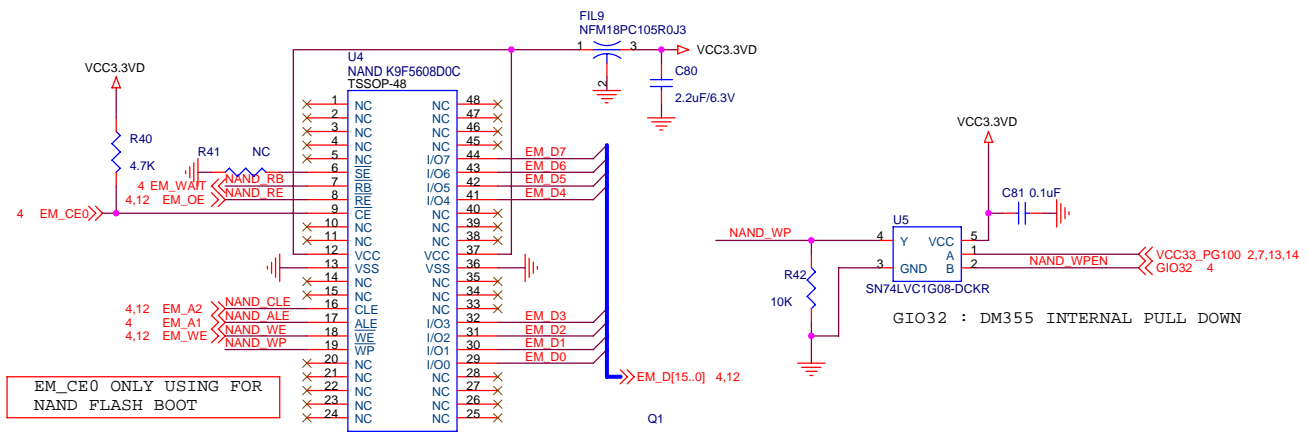
MH2 ○ MHOLE
MHOLE

MH3 ○ MHOLE
MHOLE

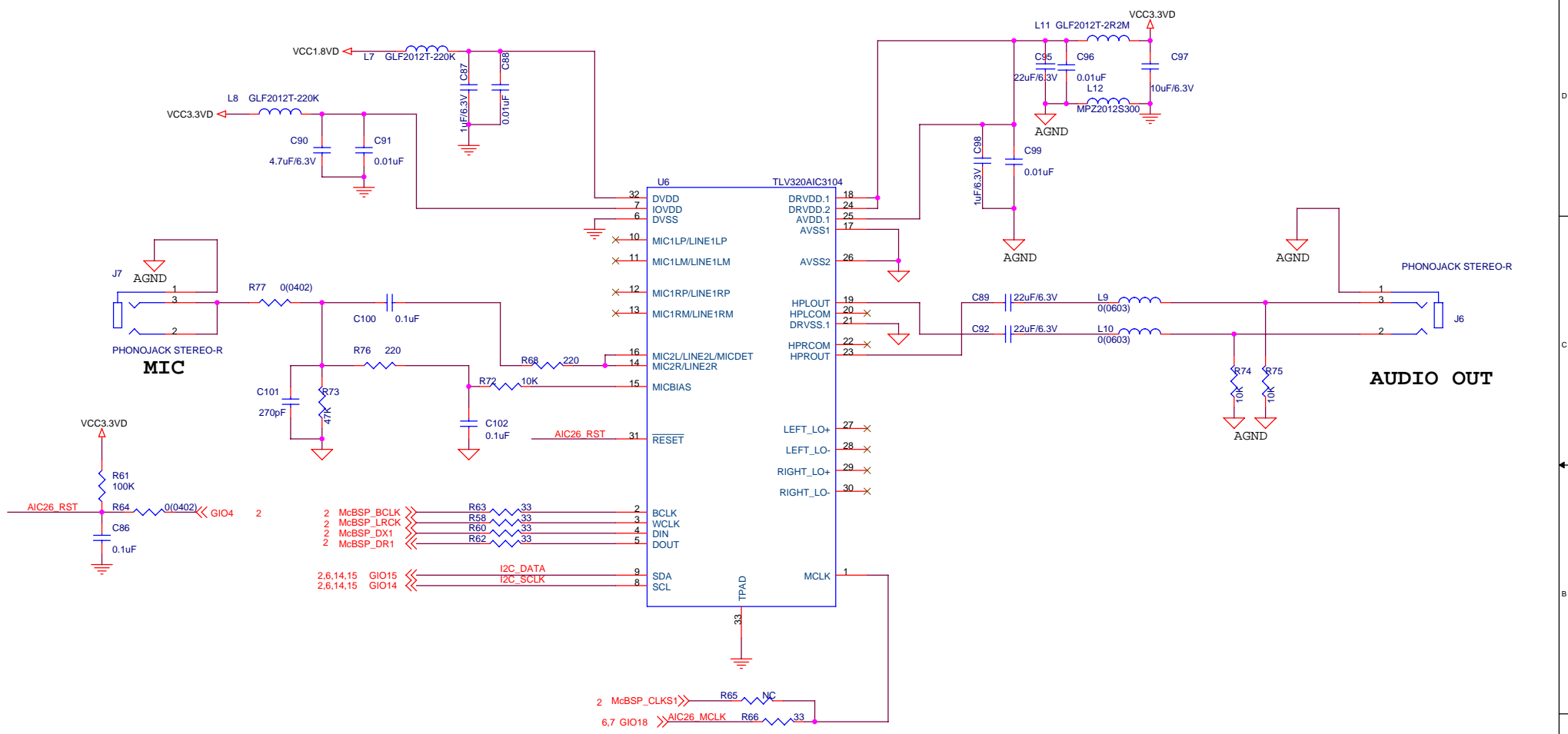
MH4 ○ MHOLE
MHOLE

MH5 ○ MHOLE
MHOLE

LEOPARD IMAGING INC		
Title: DM355 LEOPARD BOARD		
Page Contents: DM355 MISC		
Size: B	DWG NO 0001	Revision: 1.0
Date: Tuesday, March 10, 2009	Sheet 9 of	15



LEOPARD IMAGING INC			
Title: DM355 LEOPARD BOARD			
Page Contents: NAND FLASH & SD CARD			
Size: B	DWG NO	0001	Revision: 1.0
Date:	Tuesday, March 10, 2009	Sheet	10 of 15

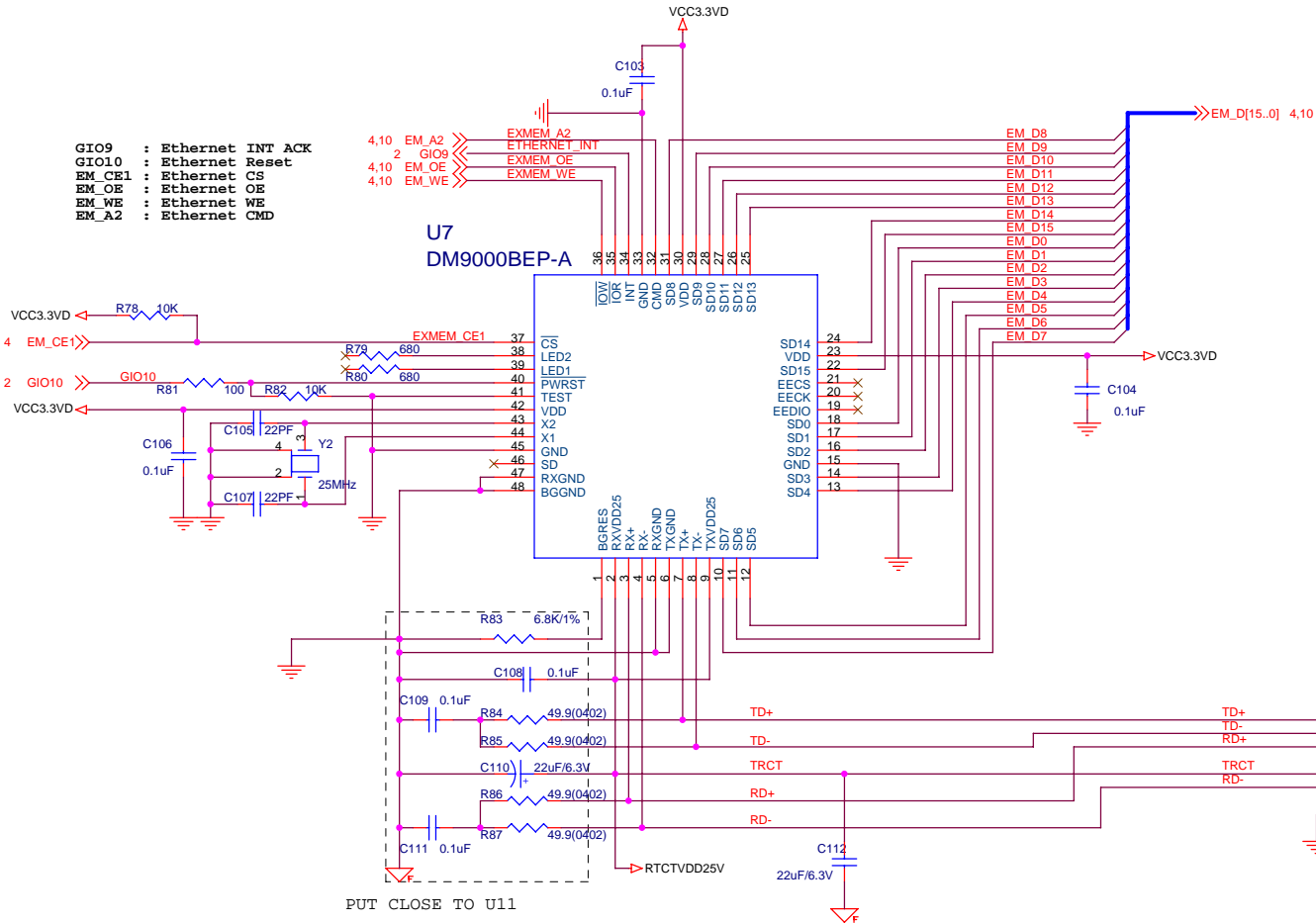


LEOPARD IMAGING INC			
Title: DM355 LEOPARD BOARD			
Page Contents: AUDIO			
Size: B	DWG NO	0001	Revision: 1.0
Date: Tuesday, March 10, 2009	Sheet 11 of		15

GIO9 : Ethernet INT ACK
 GIO10 : Ethernet Reset
 EM_CE1 : Ethernet CS
 EM_OE : Ethernet OE
 EM_WE : Ethernet WE
 EM_A2 : Ethernet CMD

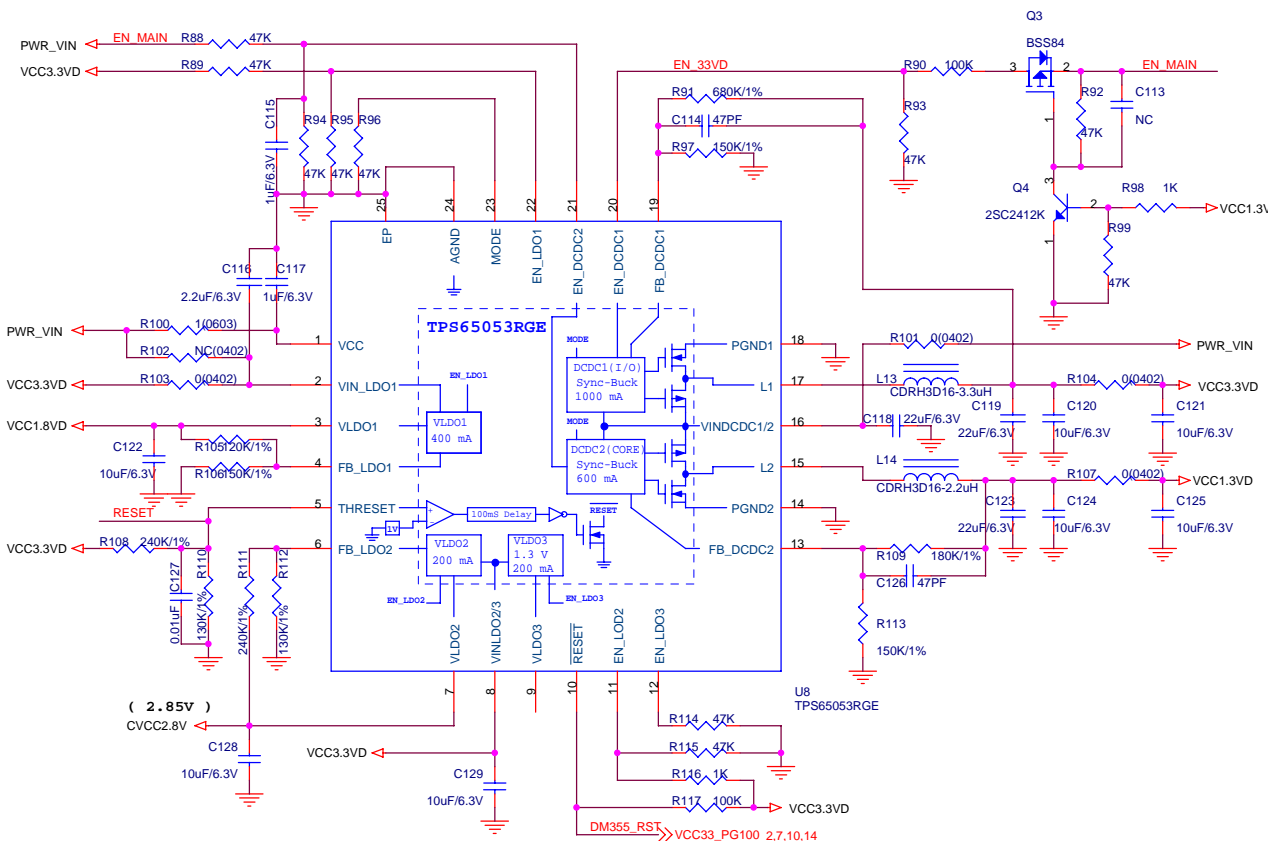
4,10 EM_A2
 2 GIO9
 4,10 EM_OE
 4,10 EM_WE

U7
DM9000BEP-A

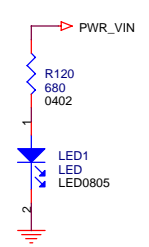
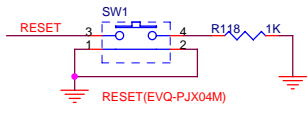
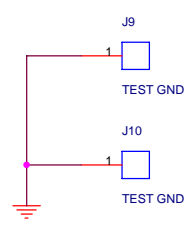


PUT CLOSE TO U11

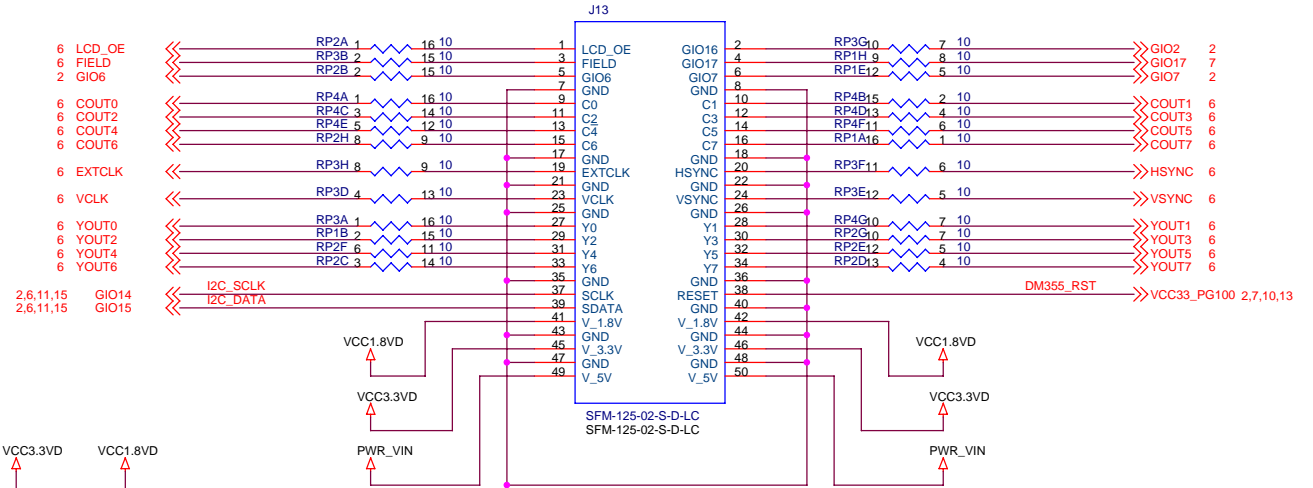
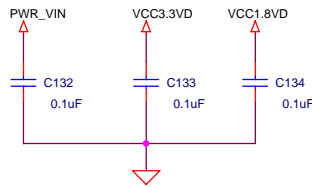
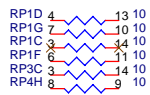
LEOPARD IMAGING INC			
Title: DM355 LEOPARD BOARD			
Page Contents: ETHERNET			
Size: B	DWG NO	0001	Revision: 1.0
Date: Tuesday, March 10, 2009	Sheet 12 of		15



(Detected voltage : 2.85V)

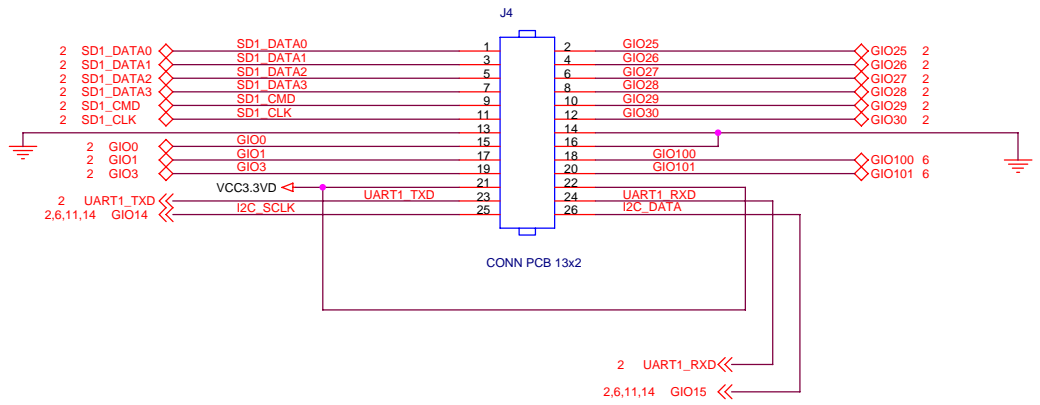


LEOPARD IMAGING INC			
Title: DM355 LEOPARD BOARD			
Page Contents: SYSTEM POWER			
Size: B	DWG NO	0001	Revision: 1.0
Date: Tuesday, March 10, 2009	Sheet 13 of		15



LCD Interface

LEOPARD IMAGING INC			
Title: DM355 LEOPARD BOARD			
Page Contents: LCD INTERFACE			
Size: B	DWG NO	0001	Revision: 1.0
Date:	Tuesday, March 10, 2009	Sheet	14 of 15



LEOPARD IMAGING INC			
Title: DM355 LEOPARD BOARD			
Page Contents: EXTERNAL I/O			
Size: B	DWG NO	0001	Revision: 1.0
Date:	Tuesday, March 10, 2009	Sheet 15 of	15